

Surgitron® I

1456-45
1456-80
1456-85

HEAVY DUTY SERVICE ENTRANCE APPLICATIONS MODULAR DESIGN

FEATURES AND BENEFITS

- Listed by ETL to UL 1449 3rd Edition for a Type 1 SPD application.
- Matrix of individually fused Metal Oxide Varistors (MOVs) housed in replaceable modules.
- Cover lights indicate status of modules.
- Model 1456-80 is recommended for sub-panels or for service entry when TNS neutral grounding is practiced.



AVAILABLE CONFIGURATIONS

Model Number	kA Per Phase	Voltage	Configuration
1456-45	120kA	480/277V	3-Phase Wye, 4-Wire + Ground
1456-80	120kA	480/277V	3-Phase Wye, 4-Wire + Ground
1456-85	120kA	480/277V	3-Phase Wye, 4-Wire + Ground

Warranty

5-years

Available Options

Surge Counter	Add suffix -S
Stainless Steel NEMA 4X enclosure	Add suffix -4X
Dry Relay Contacts come standard on 1456-80 and 1456-85 models only	

Stand Alone Option

Remote Monitor	1260-97
----------------	---------

PRODUCT SPECIFICATIONS

Electrical

Nominal Discharge Current Rating (I-n)	20kA
Operating Frequency	50–60Hz
Connection Methods	Parallel to load (shunt) Lugs #14–#2 Directly connect or through 60A (min) breaker
Modes of Protection	1456-45 L-N, N-G 1456-80 L-N, L-G, N-G 1456-85 L-N, N-G
Fault Rating (SCCR)	100kAIC
Response Time	Less than 1 nanosecond (one per phase)
Standard Monitoring	LED status indicator lights (one per phase)

Mechanical

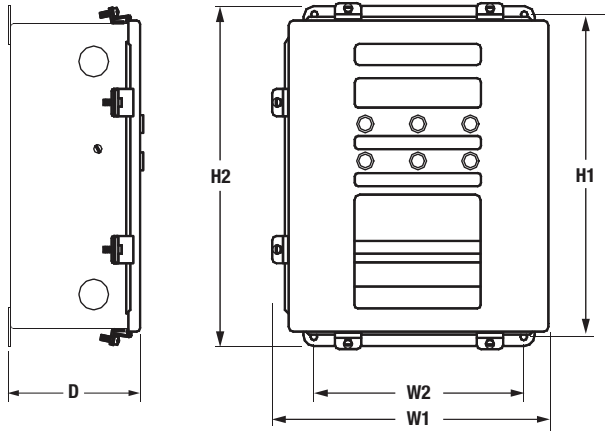
Weight	28.7 lbs (13 kg)
Enclosure Type	NEMA 4, 4X
Installation Location	Indoor/Outdoor
Mounting Method	Dual mounting flanges
Operating Environment	-40° to +185°F (-40° to +85°C)
Altitude	Up to 16,400 ft. (5000 m)
Product Design	Individually fused MOVs Overcurrent fusing

Regulatory

UL 1449 3rd Edition Type	Type 1
UL 1283	No
IEEE C62.41.1, .2, C62.45	Yes
Listed By	ETL

SURGITRON I PERFORMANCE DATA

Model Number	kA Per Phase	Voltage Configuration	Protection Modes	MCOV	UL 1449 3rd Edition 6kV 3000A VPR
1456-45	120kA	480/277V	L-N N-G	320 320	900V 900V
1456-80	120kA	480/277V	L-N L-G N-G	320 320 320	1000V 1000V 900V
1456-85	120kA	480/277V	L-N N-G	320 320	1000V 900V



DIMENSIONAL SPECIFICATIONS

Dim	Inches (mm)
H1	14.75 (374.7)
H2	15.5 (393.7)
W1	12.9 (327.7)
W2	10 (254)
D	6.2 (157.5)

Thomas & Betts Corporation